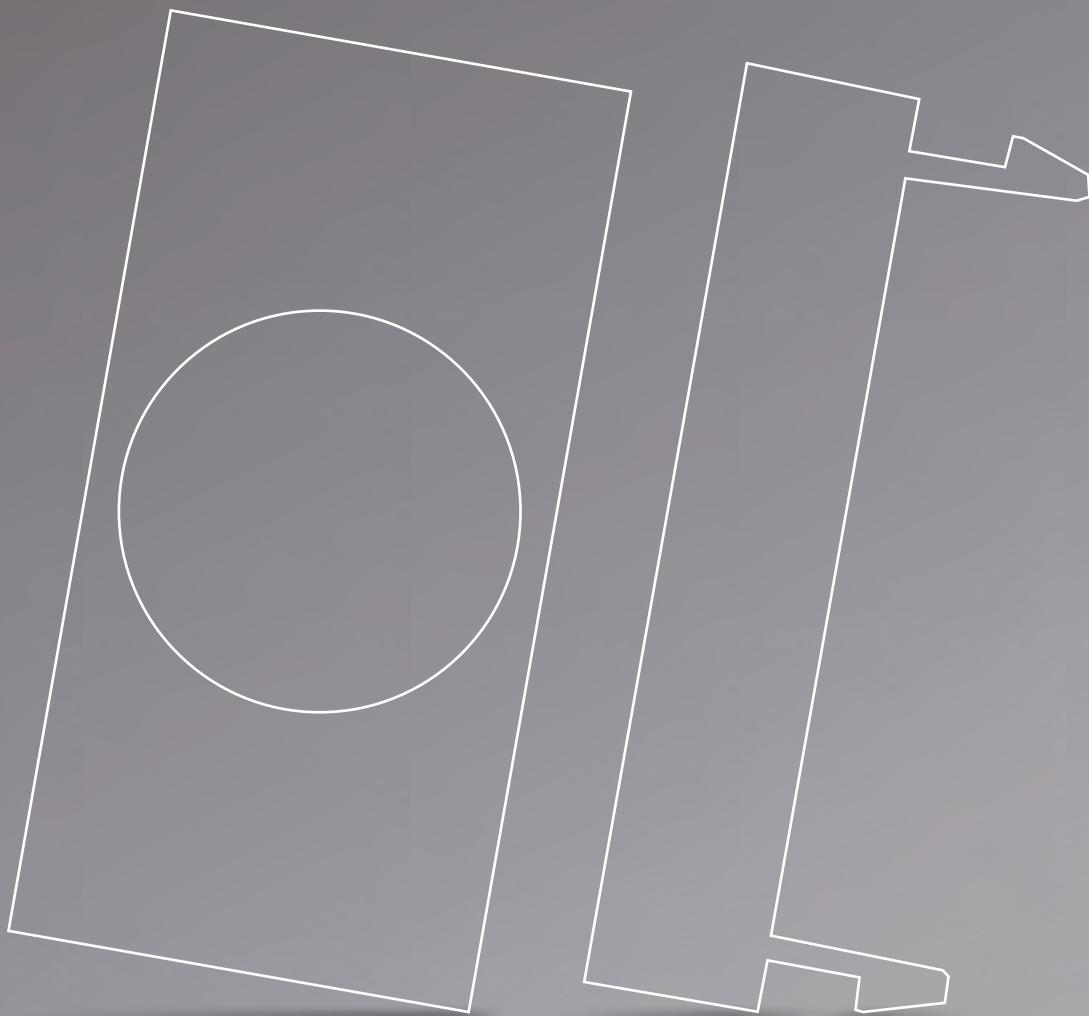


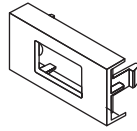
CATALOGUE 2020

Wall Plate

System 45 module plate for Displayport,
HDMI adapter and others.



Wall Plate



02



81301
Easy 45 Module Cover Plate
45 x 22.5 mm

03



81302
Easy 45 Module Plate Rectangular cut-out 12.5 x 21.5 mm,
45 x 22.5 mm

for Displayport and HDMI adapter
(81307 / 81308 / 81309 / 81310)

04



81314
Easy 45 Module Plate round cut-out \varnothing 19.2 mm,
45 x 22.5 mm

Easy 45 Module Cover Plate

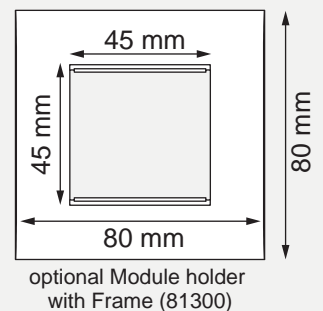
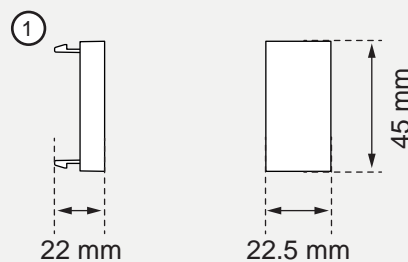
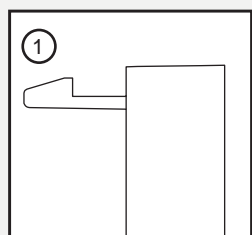
45 x 22.5 mm

- Suitable for module holder Delock Easy 45
- Suitable for 45 mm cable duct with minimum depth 45 mm

White



MADE IN TAIWAN



Dimensions
45.0 x 22.5 x 22.0 mm



Module size
22.5 x 45 mm



cut-out
No cutting

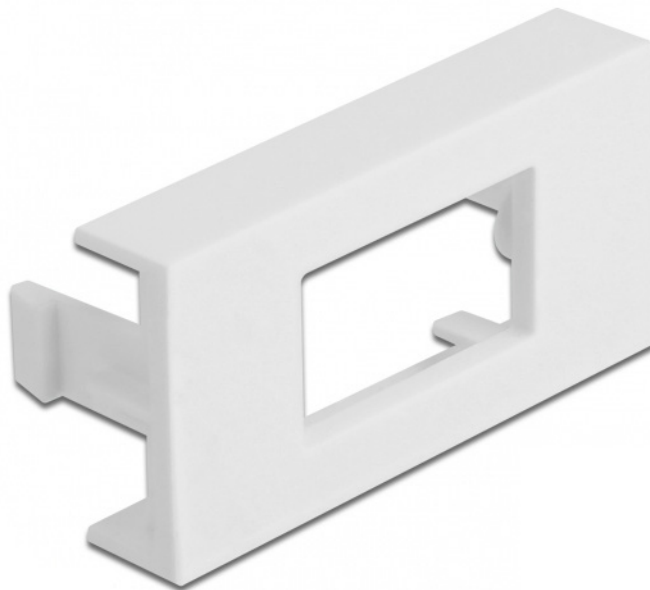


Material
PC plastic

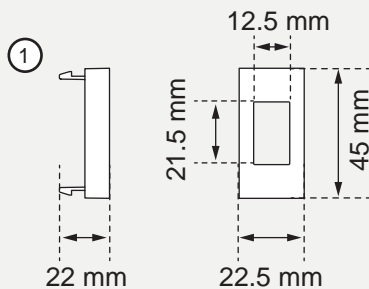
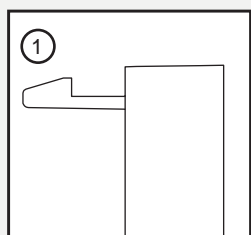
Easy 45 Module Plate Rectangular cut-out 12.5 x 21.5 mm, 45 x 22.5 mm

- Suitable for module holder Delock Easy 45
- Suitable for 45 mm cable duct with minimum depth 45 mm

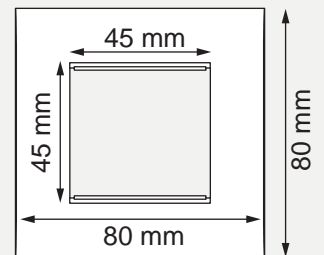
White



MADE IN TAIWAN



optional Adapter
(81307/81308/81309/81310)



optional Module holder
with Frame (81300)



Dimensions
45.0 x 22.5 x 22.0 mm



Module size
22.5 x 45 mm



cut-out
12.5 x 21.5 mm

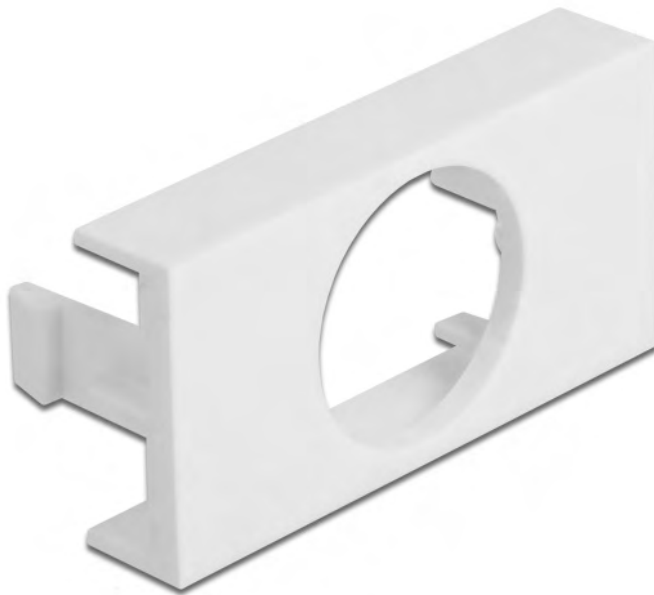


Material
PC plastic

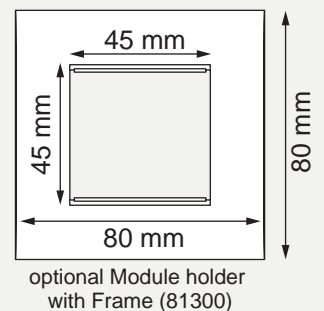
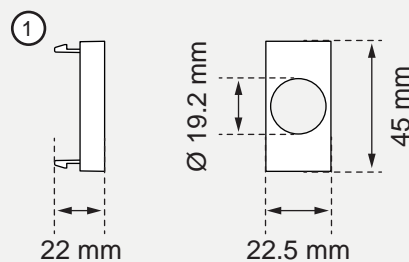
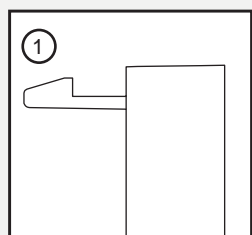
Easy 45 Module Plate round cut-out Ø19.2 mm, 45 x 22.5 mm

- Suitable for module holder Delock Easy 45
- Suitable for 45 mm cable duct with minimum depth 45 mm

White



MADE IN TAIWAN



Dimensions
45.0 x 22.5 x 22.0 mm



Module Size
22.5 x 45 mm



cut-out
Ø 19.2 mm



Material
PC plastic